

# Technische Info!

78235

ST 07BS-05 AIR (AR)  
(12V / 24V Air Compressor 9A)



## SEAT OPTIONS



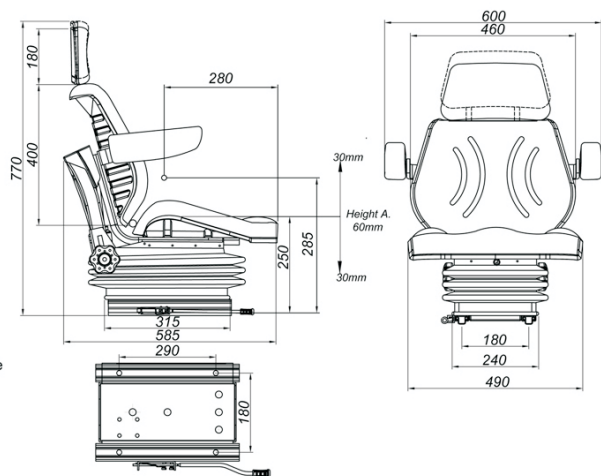
## SEAT FEATURES

- » Sliding base  
(Fore and aft adjustment of 250 mm.)
- » With suspension stroke 80-100 mm.  
(Couple springs & Hydraulic shock absorber)
- » Height adjustment 60mm
- » Operator weight adjustment  
(50kg.-130kg.)
- » Lumbar support
- » Polyurethane seat cushion and backrest with vacuum design.

- 1- ST YP2BS Seat Cushion
- 2- ST YP1BS Seat Backrest
- 3- SP 01 Backrest Extension  
(Option)
- 4- ST YP15 Foldable Armrest  
(Option)
- 5- Height Adjustment Mechanism
- 6- SP 14 Slideway
- 7- ST YP15ARN Adjustable Foldable  
Armrest (Option)
- 8- Lumbar Support
- 9- Weight Adjustment Valve



## SEAT TECHNICAL DRIVE



**Ökoprofi**  
Ersatzteile und Zubehör  
Handels GmbH.  
Tel.: 0043/(0)7673/30703  
[www.oekoprofi.com](http://www.oekoprofi.com)



## Instruction Manual

Tractor, Forklift and other agriculture machine seats designed for your comfort and driving pleasure. Thank you for choosing Star Tractor Seats. At this guideline, you will find technical features, functions and explanations on the use and care about ECO and STAR models. Please keep it carefully.

You should adjust your seat's length according to steering wheel, brake and gas with slideway lever. The armrests can be folded up if required and the height individually adjusted. You can adjust your armrests's angle, too. For your health, you should adjust mechanical lumbar and backrest extension. For your safety, please fasten your seat belt. For decreasing accident risk, you should do all adjustments before driving. Assembling of the product that you have purchased should be done by an authorized service. In the event of incorrect assembly and/or repair, all warranty and liability claims shall be null and void. To prevent damage, adjust your seat according to your weight. Protect your seat from sunlight, snow and rain. Use grease oil for metal and plastic parts. To extend life of the seat, keep your seat away from tree branches and cutters. Protect your seat's metal parts from chemical such as fertilizer and solvent.



Ökoprofi GmbH., Oberharrern 33, A-4691 Schlatt  
Tel.: 0043/(0)7673/30703, Fax: 0043/(0)7673/30703/40 [verkauf@oekoprofi.com](mailto:verkauf@oekoprofi.com)  
[www.oekoprofi.com](http://www.oekoprofi.com)

# Technische Info !

78235



Ersatzteile und Zubehör

Handels GmbH.

Tel.: 0043/(0)7673/30703

[www.oekoprofi.com](http://www.oekoprofi.com)

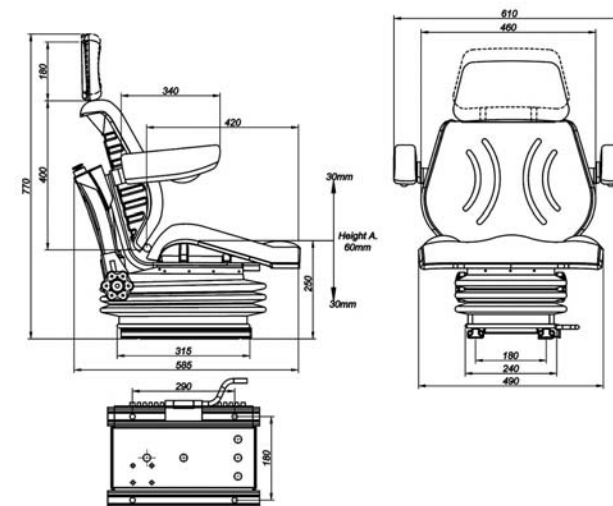
## Luftsitz 78235

(12V/24V Luftkompressor 9A)

- Geringe Einbauhöhe
- Federweg 60 mm
- Gewichtseinstellung stufenlos 50 - 130 kg
- Höhenverstellung 60 mm
- Längsverstellung 150 mm
- verstellbare Bandscheibenstütze

## Optionen:

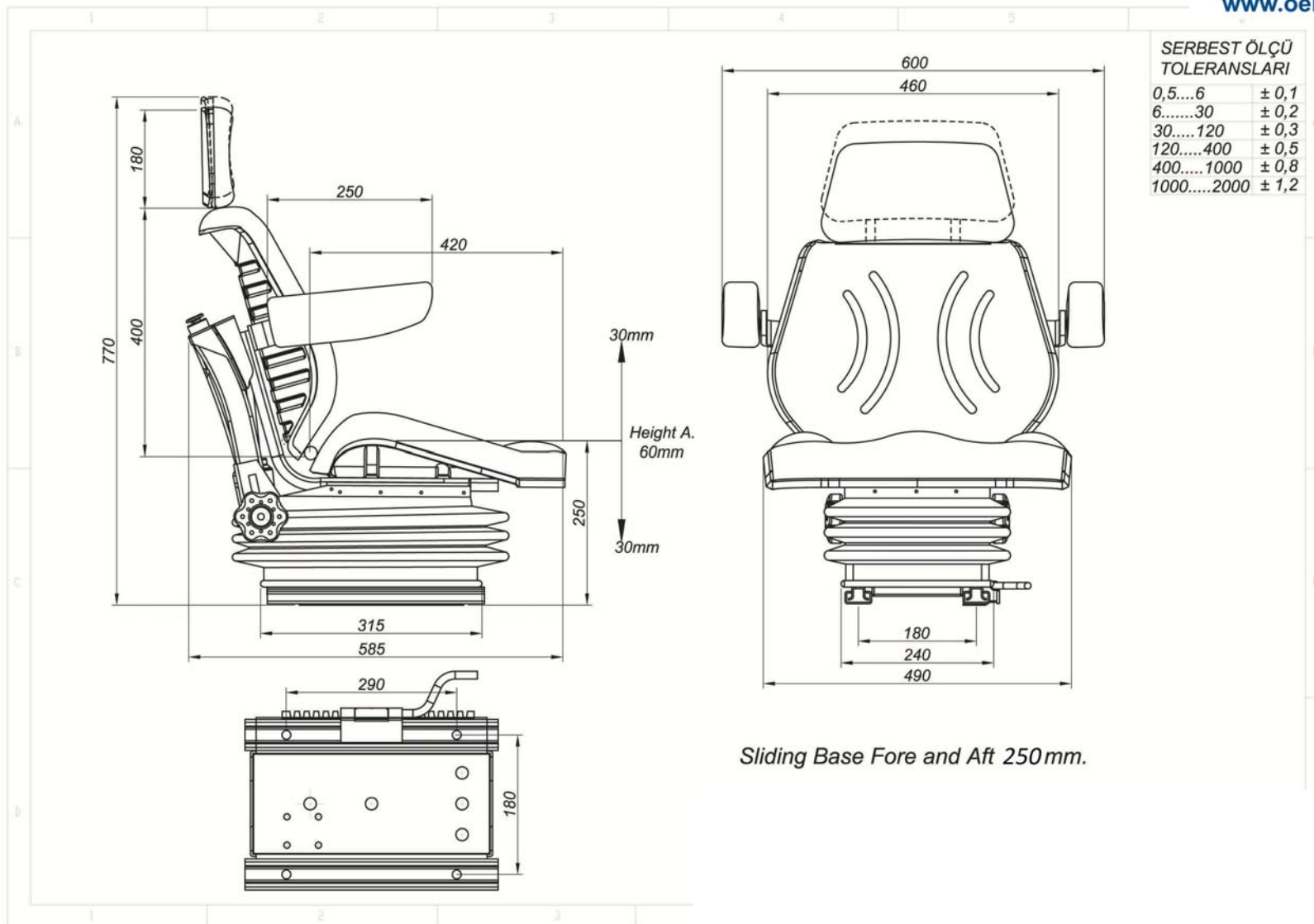
- verstellbare Armlehnen
- Sicherheitsgurt
- Sicherheitsschalter



Ökoprofi GmbH., Oberharrern 33, A-4691 Schlatt  
Tel.: 0043/(0)7673/30703, Fax: 0043/(0)7673/30703/40 [verkauf@oekoprofi.com](mailto:verkauf@oekoprofi.com)  
[www.oekoprofi.com](http://www.oekoprofi.com)

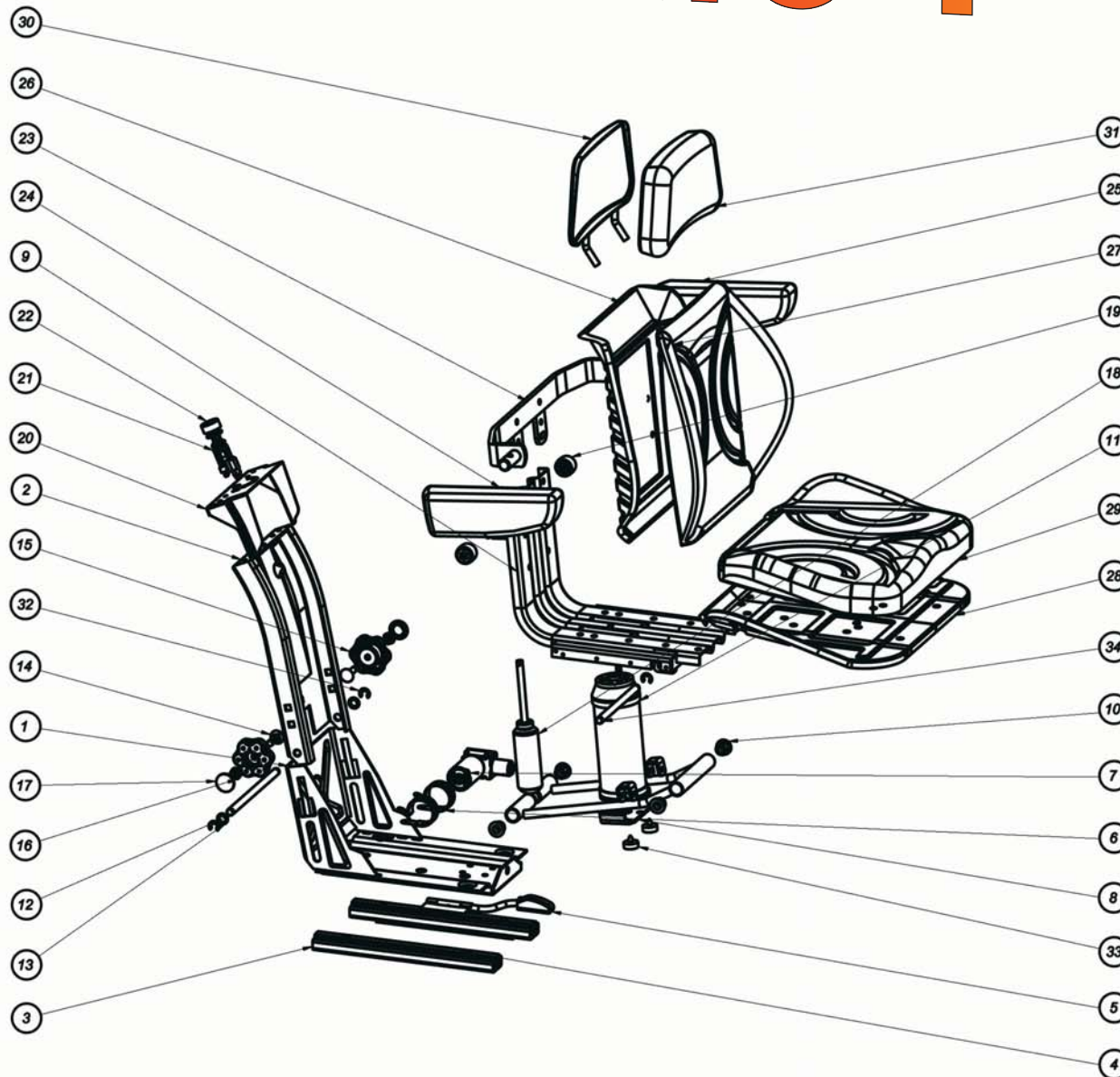
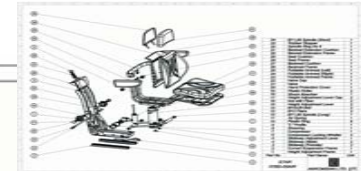
# Technische Info !

78235



# Technische Info !

78235



34	Ø11,80 Spindle (Short)	1
33	Rubber Stopper	1
32	Spindle Ring No 9	1
31	Backrest Extension Cushion	1
30	Backrest Extension Frame	1
29	Seat Cushion	1
28	Seat Frame	1
27	Backrest Cushion	1
26	Backrest Frame	1
25	Foldable Armrest (Left)	1
24	Foldable Armrest (Right)	1
23	Foldable Armrest Frame	1
22	Valve Cap	1
21	Valve	1
20	Hand Protection Cover	1
19	Plastic Roller	2
18	Shock Absorber	1
17	Height Adjustment Lever Cap	2
16	Nut with Fiber	2
15	Height Adjustment Lever	2
14	M10x29 Bolt	2
13	Ø12 Flake	2
12	Ø11,80 Spindle (Long)	1
11	Air Spring	1
10	Plastic Ring	6
9	"L" Profile	1
8	Shearing	1
7	Compressor	1
6	Compressor Locking Wristlet	2
5	Slideway Adjustment Lever	1
4	Slideway (Male)	2
3	Slideway (Female)	2
2	Curved Suspension Frame	1
1	Height Adjustment Frame	1
Part No	Part Name	Unit

STAR  
07BS-05AIR

**Ökoprofi**  
Ersatzteile und Zubehör  
Handels GmbH.  
Tel.: 0043/(0)7673/30703  
[www.oekoprofi.com](http://www.oekoprofi.com)

Ökoprofi GmbH., Oberharrern 33, A-4691 Schlatt  
Tel.: 0043/(0)7673/30703, Fax: 0043/(0)7673/30703/40 [verkauf@oekoprofi.com](mailto:verkauf@oekoprofi.com)  
[www.oekoprofi.com](http://www.oekoprofi.com)