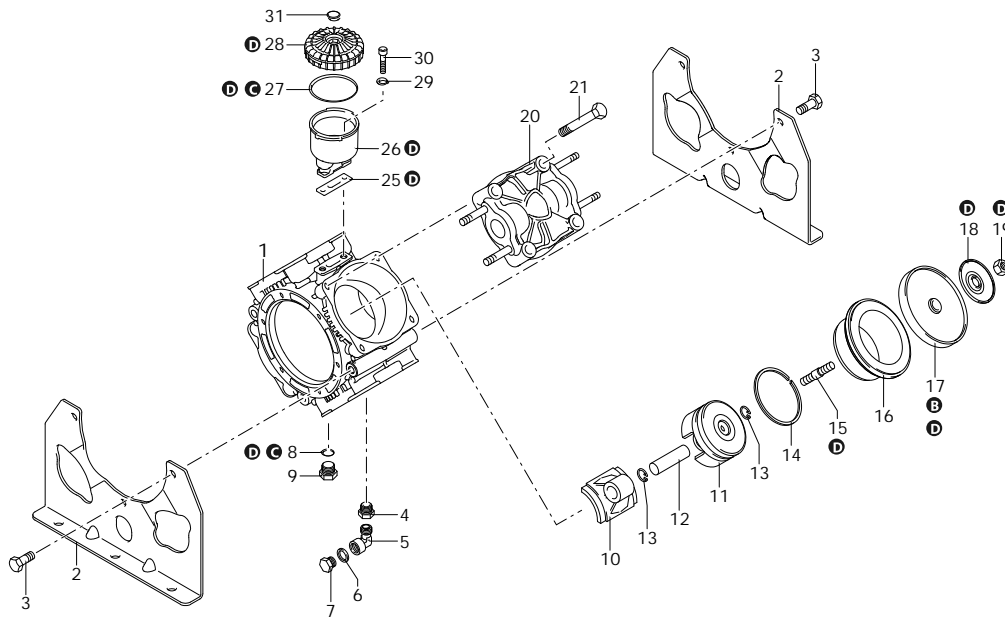
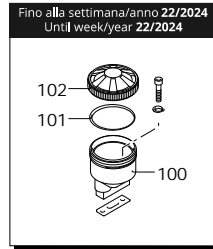




AR 160 BP

1209 AR 160 BP AP C/C - NBR



Code	Description	Q	Note	Validity
1	761010 Pump body	1		
2	761031 Foot	2		
3	160672 Screw	TE M10x25	6 C=40Nm Loxeal 55-14	
4	1040491 Fitting	3/8" G (M-F)	1 Loxeal 83-21	
5	900210 Fitting	3/8" G (M-F)	1 Loxeal 83-21	
6	2260200 Washer		1	
7	2281270 Plug	3/8" G	1 C=20Nm Loxeal 55-14	
8	740290 O-ring	Ø 14x1,78	1 Lubricate Molykote PG54	
9	880530 Plug	3/8" G	1 C=20Nm	
10	760140 Connecting-rod		4 Lubricate with motor oil	
11	750122 Piston	Ø 80	4	
12	160700 Pin		4 Lubricate with Mineral Grease	
13	160691 Ring	seeger Øi 18	8	
14	500260 Piston ring		4	
15	2240100 Hub pin		4 C=30Nm Loxeal 83-21	
16	750110 Sleeve		4	
17	550080 Diaphragm	NBR - Øe 115	4	
18	751250 Plate		4	
19	2240110 Nut	M10	4 C=25Nm	
20	751350 Head		4	
21	750061 Screw	TE M12x65	16 C=60Nm Molykote 1000	
25	750040 Gasket		1 Seal with Arexons Mastic	
26	750031 Tank	with bayonet	1	
27	580230 O-ring	Ø 69,52x2,62	1	
28	4700620 Plug	with bayonet - black	1	
29	380243 Washer		2	
30	680350 Screw	TCEI M8x35	2 C=10Nm	
31	751780 Plug		1	
100	750030 Tank	threaded	1	< 22/24
101	1040060 O-ring	Ø 72,69x2,62	1 Lubricate Molykote Longterm W2	22/24
102	1800060 Plug	threaded - black	1	< 22/24
A	47407 Valve kit		1	
B	2371 Diaphragms kit	NBR	1	
C	42510 O-ring kit		1	
D	42511 Maintenance repair kit	NBR	1	
E	47207 Tank kit		1	

76_01-001

Customer: AR
Customer Code:



SAE 30
1,400 Kg

Revision: 1

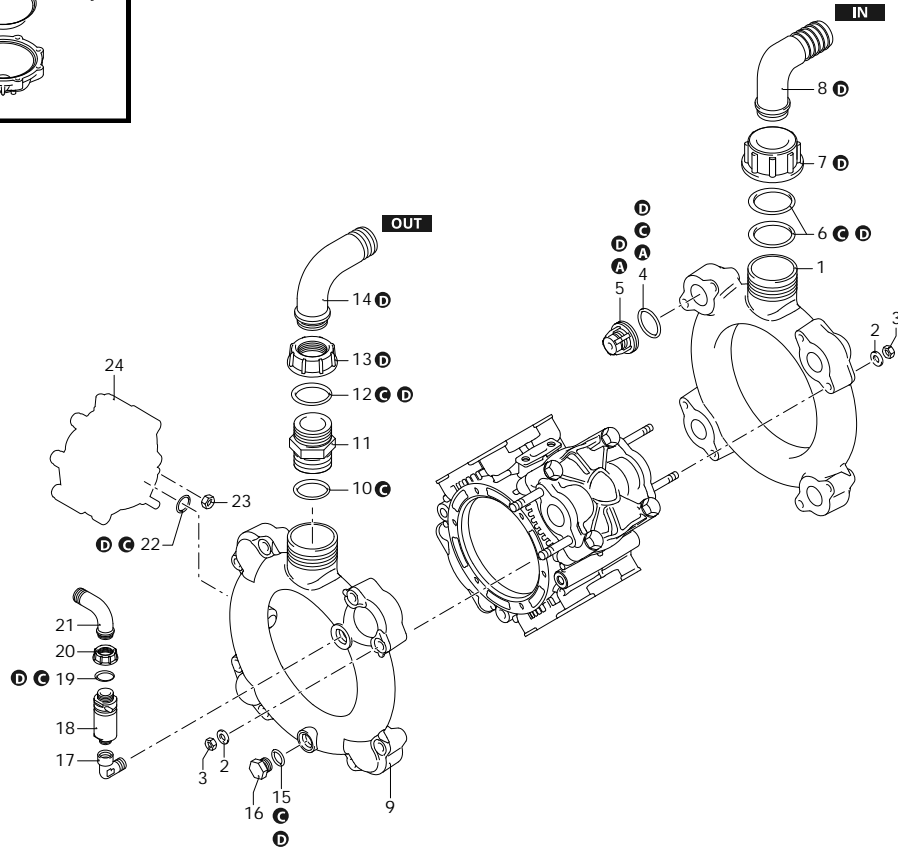
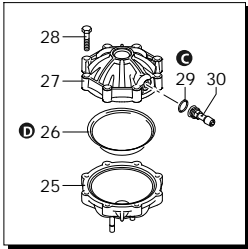
Date: 25/03/2026

Validity: < XX/YY = From week/year



AR 160 BP

1209 AR 160 BP AP C/C - NBR



Code	Description		Q	Note	Validity
1	760750 Line	intake	1		
2	380243 Washer		16		
3	380242 Nut	M8	16	C=20Nm Molykote 1000	
4	680070 O-ring	Ø 31,5x4,25	8	Lubricate with motor oil	
5	759054 Valve		8		
6	3040470 O-ring	Ø 39,3x2,62	2	Lubricate with motor oil	
7	3040450 Ring nut	2" G	1		
8	3040430 Elbow	Ø 40	1		
9	760760 Line	delivery	1		
10	751140 O-ring	Ø 47,22x3,53	1	Lubricate with motor oil	
11	751130 Fitting	1" 1/2 G (M-M)	1		
12	390290 O-ring	Ø 29x3	1	Lubricate Molykote PG54	
13	750670 Ring nut	1" 1/2 G	1		
14	760930 Elbow	Ø 25	1		
15	180101 O-ring	Ø 17,5x2	1	Lubricate with motor oil	
16	330173 Plug	1/2" G	1	C=20Nm Loxeal 55-14	
17	881560 Fitting	1/2" G (M-F)	1	Loxeal 83-21	
18	1609000 Safety valve	20 bar	1	Loxeal 24-18	
19	880831 O-ring	Ø 15,54x2,62 Viton	1	Lubricate Molykote G-807	
20	550450 Ring nut	3/4" G	1		
21	550460 Elbow	Ø 18	1		
22	390290 O-ring	Ø 29x3	1	Lubricate Molykote PG54	
23	380242 Nut	M8	2	C=20Nm Molykote 1000	
24	629216 Air chamber	NBR	1		
25	680180 Semi air chamber	lower	1		
26	550190 Diaphragm	NBR - Øe 110	1		
27	620232 Semi air chamber	upper	1		
28	621781 Screw	TE MBx40	1	C=20Nm Molykote 1000	
29	650542 Gasket		1	Lubricate with motor oil	
30	180020 Air valve		1	C=3,5NmLoxeal 55-14	
A	47407 Valve kit		1		
B	2371 Diaphragms kit	NBR	1		
C	42510 O-ring kit		1		
D	42511 Maintenance repair kit	NBR	1		

76_02-001

Customer: AR
Customer Code:



SAE 30
1,400 Kgr

Revision: 1

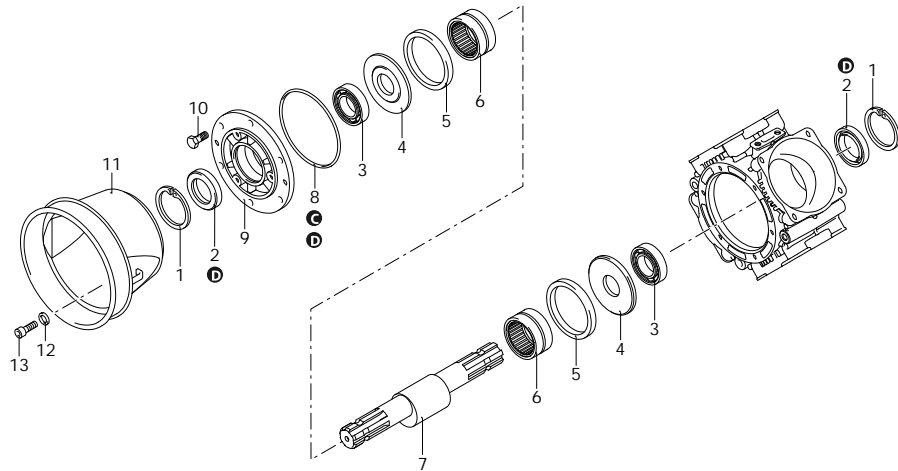
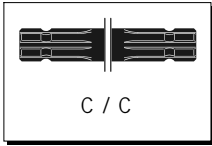
Date: 25/03/2026

Validity: < XX/YY = From week/year



AR 160 BP

1209 AR 160 BP AP C/C - NBR



Code	Description		Q	Note	Validity
1	200390 Ring	seeger Øi 62	2		
2	751990 Ring	seal	2	Lubricate with Mineral Grease	
3	230350 Bearing		2	Press Mount	
4	540040 Plate		2	Lubricate with motor oil	
5	750130 Ring		2	Lubricate with motor oil	
6	750090 Bearing		2		
7	750170 Shaft	AU marked	1		
8	851360 O-ring	Ø 120,32x2,62	1	Lubricate Molykote Longterm W2	
9	680020 Support		1	Lubricate with Mineral Grease	
10	160672 Screw	TE M10x25	6	C=35Nm Loxeal 55-14	
11	1500470 Cardan protection	Ø 239 mm	1		
12	390314 Washer		3		
13	850251 Screw	TCEI M8x12	3	C=20Nm	
A	47407 Valve kit		1		
B	2371 Diaphragms kit	NBR	1		
C	42510 O-ring kit		1		
D	42511 Maintenance repair kit	NBR	1		

76_03-001

Customer: AR
Customer Code:



SAE 30
1,400 Kg

Revision: 1

Date: 25/03/2026

Validity: < XX/YY = From week/year