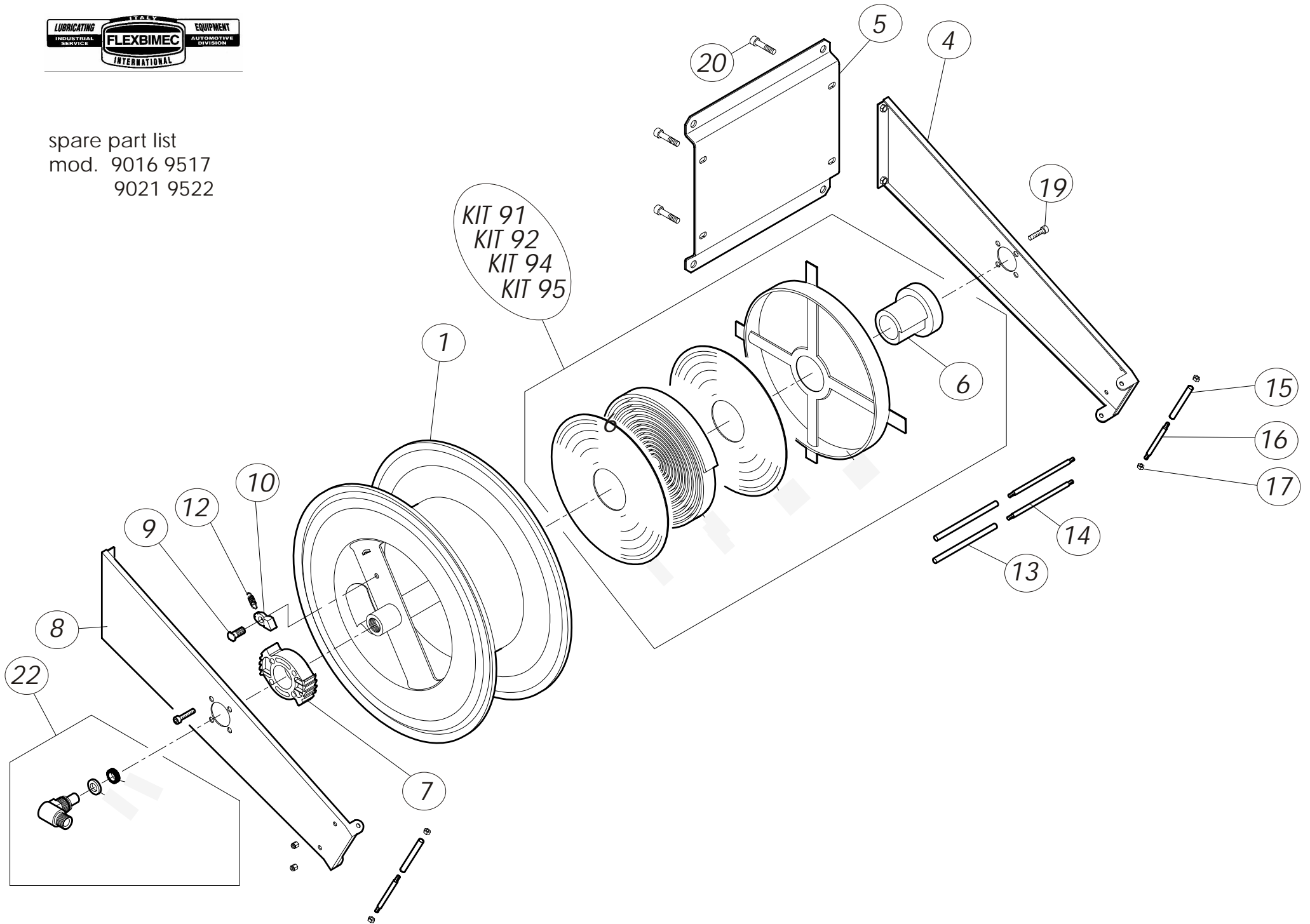


spare part list
mod. 9016 9517
9021 9522



POS-	9016	9021	9517	9522	DESCRIZIONE	DESCRIPTION	N' PEZZI
01	09 15 01	09 20 01	1015 01	10 20 01	Rullo	drum	1
02	KIT 91	KIT 92	KIT94	KIT95	Molla e contenitore	Cansister and spring	1
04	09 15 04	09 15 04	10 15 04	10 15 04	Fiancata destra	Right bracket	1
05	09 00 05	09 02 05	10 00 05	10 02 05	Piastra di sostegno	Backbracket	1
06	09 00 06	09 00 06	09 00 06	09 00 06	Mozzo tendimolla	hub	1
07	09 15 07	09 15 07	09 15 07	09 15 07	cremagliera	Latchratchet	1
08	09 15 08	09 15 08	10 15 08	10 15 08	Fiancata sinistra	Leftside bracket	1
09	09 15 09	09 15 09	09 15 09	09 15 09	Vite	screw	1
10	09 15 10	09 15 10	09 15 10	09 15 10	saltarello	latch	1
11	09 15 11	09 15 11	09 15 11	09 15 11	dado	nut	1
12	09 15 12	09 15 12	09 15 12	09 15 12	Molla slatarello	Latchspring	1
13	09 00 13	09 02 13	09 00 13	09 02 13	Rullino	Roller	2
14	09 00 14	09 02 14	10 00 14	10 02 14	Perno	dowell	2
15	09 00 15	09 00 15	09 00 15	09 00 15	Rullo verticale	Verticalroller	2
16	09 00 16	09 00 16	10 00 16	10 00 16	Perno	dowel	2
17	09 00 17	09 00 17	09 00 17	09 00 17	Dadocieco	Cupnu	2
19	09 00 19	09 00 19	10 00 19	10 00 19	Vite dia.8 tcei	Socket h. scr. 8mm.	8
20	09 00 20	09 00 20	10 00 20	10 00 20	Vite dia.8 tcei	Socket h. scr. 8mm.	8
21	09 15 23	09 15 23	09 15 23	09 15 23	Vite autof.	Self tapping screw	3
22	9951 9952	9951 9952	9963 9964 9965 9966	9963 9964 9965 9966	Giunto girevole	Sivel joint	1

spare part list
mod. 9016 9517
9021 9522